



2020 Honda Civic TCR Program

NORTH AMERICAN RACING



Honda Performance Development, Inc.

2020 Honda Civic TCR Program



INDEX

Bodywork	1
Front Brakes & Suspension	2
Rear Brakes & Suspension	3
Endurance Brake Option	4
Pedal Box	5
Chassis	6
Interior Equipment	7
Interior Options	8
Endurance Options	9
Engine & Systems Display & Data Logging	10
Engine Control	11
Fuel System	12
Fuel System Endurance	13
Gearbox Xtrac	14
Racing Services	15
Sale Terms	16
Contact	17
	18

2020 Honda Civic TCR Program

1 BODYWORK

- Front/rear composite wheel arches
- Front/rear composite bumper
- Adjustable front splitter
- Hood scoop
- Composite side skirts
- J.A.S. rear wing under TCR regulations



2020 Honda Civic TCR Program

2 FRONT BRAKES & SUSPENSION

- Ohlins TTX NK56 dampers
- JAS AP Racing front brake calipers with 380mm x 35mm DS4 discs
- Front brake caliper – Endurance with 25mm pads
- Electric power steering with heavy arms
- JAS OZ Racing wheels, cast aluminum, 18in. x 10in.
- Heavy duty ball joints on front lower wish-bone

OPTIONAL

- 3 front sway bars with different stiffness
- 3 sets of springs with different stiffness



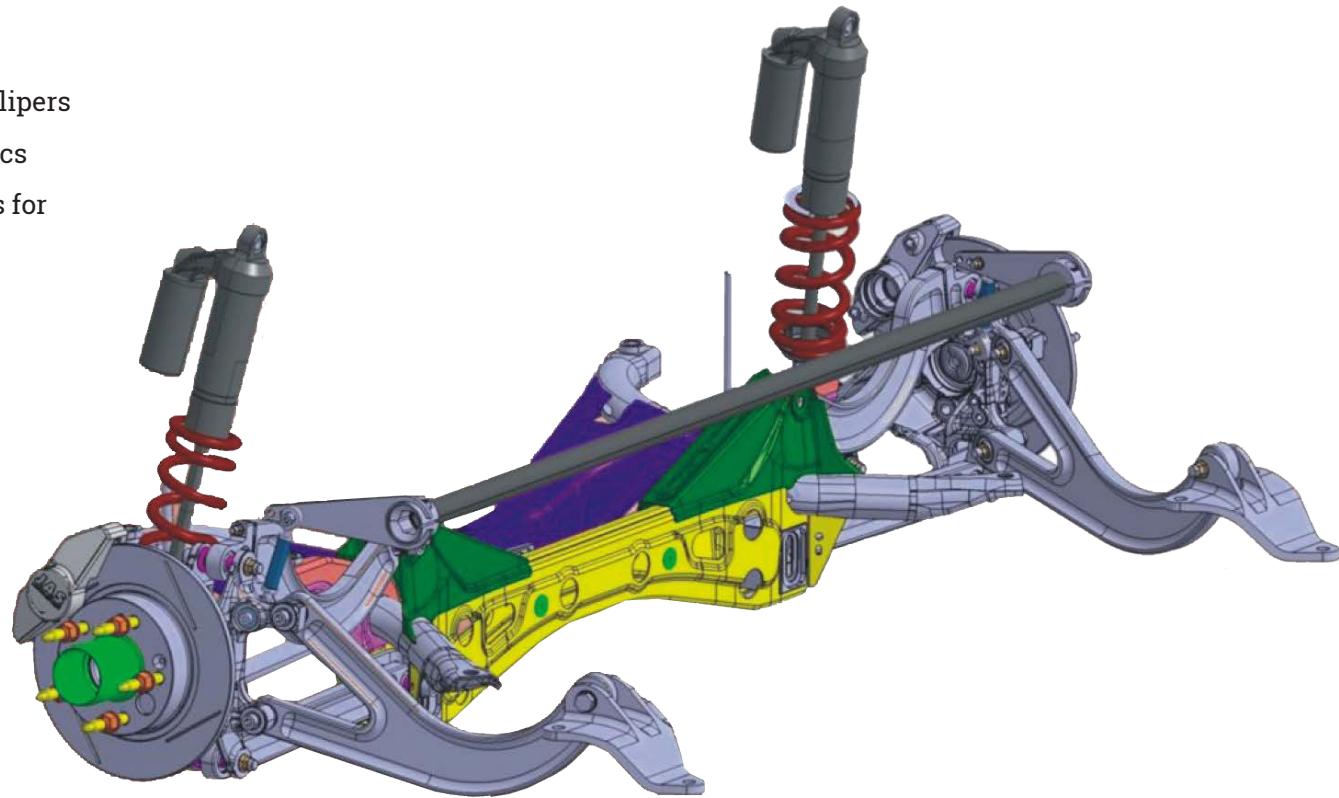
2020 Honda Civic TCR Program

3 REAR BRAKES & SUSPENSION

- Ohlins 2 Way S46 dampers
- JAS Motorsport rear brake calipers
- 260mm x 9mm rear brake discs
- Rear anti-roll bar with 3 holes for adjustment

OPTIONAL

- 2 rear sway bars with different stiffness
- 3 sets of springs with different stiffness



2020 Honda Civic TCR Program

4 ENDURANCE BRAKE OPTION

- Brake disc: 380x35mm with 64mm pad surface
- Endurance pads with 64mm pad depth & 25mm pads
- Brake cooling ducts from bumper to upright
- Bosch racing ABS M5
- Switch-on central console with 12 working levels



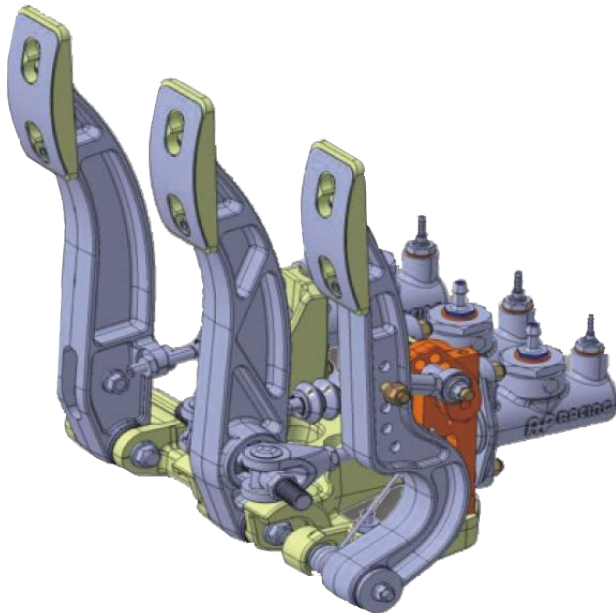
2020 Honda Civic TCR Program

5 PEDAL BOX

- Pedal box with special designed JAS pedals with adjustable brake balance front-to-rear
- AP brake pressure limiter mounted to the rear brakes
- "Rally Style" hand brake

OPTIONAL

- Special footrest



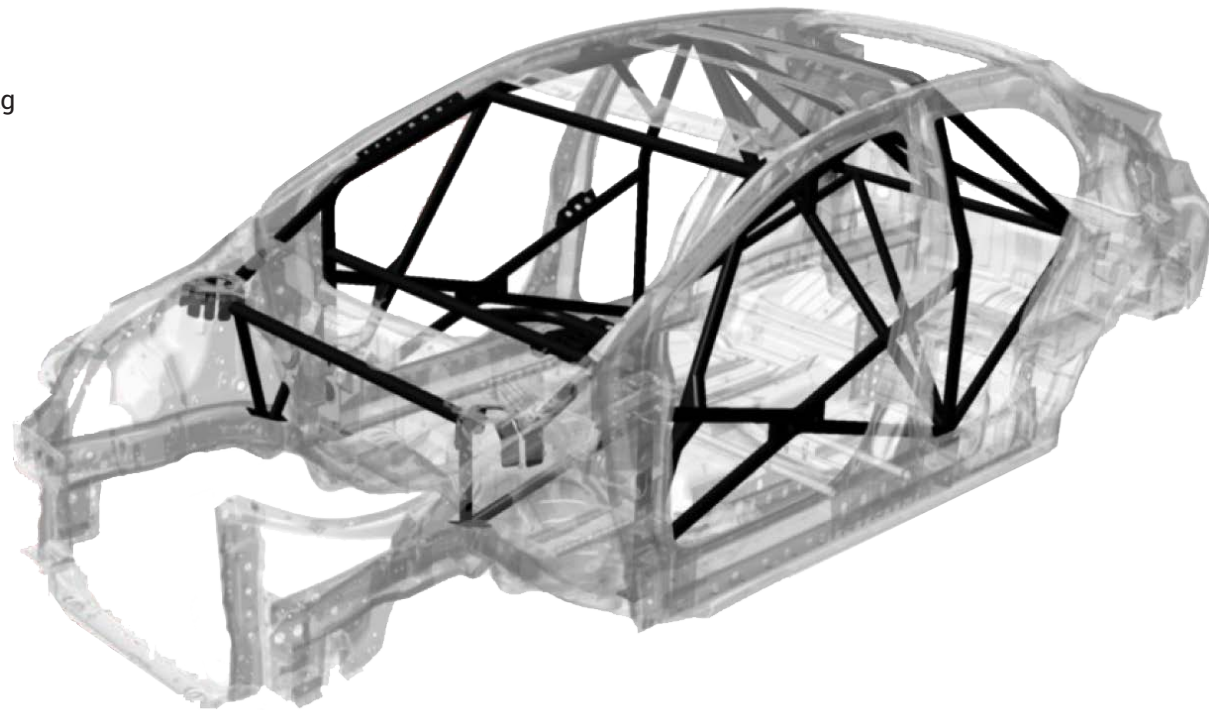
2020 Honda Civic TCR Program

6 CHASSIS

- Seam welded body panels
- TIG-welded roll cage in chrome-molybdenum steel
- Broad use of cross-bracing tubes (sides, floor, main hoop, rear) & gusseting for maximum stiffness
- Roll cage homologation by MSA-UK
- Lightweight chassis painting
- Wheel arch cutout to allow space for 18in. wheels
- Left guide

OPTIONAL

- Customer choice frame color



2020 Honda Civic TCR Program

7 INTERIOR EQUIPMENT

- Front and rear plastic door panels
- Custom plastic dashboard
- Tunnel mounted switch panel
- OMP 6-point 3-inch seat belts for HANS use
- OMP seat circuit pro with ear protection
- Steering wheel with quick release
- Automatic fire extinguisher
- Competition battery, positioned in cockpit
- Multifunction steering wheel
- Airjack system (2 front/1 rear)
- Driver window safety net
- Wide angle rear view mirror



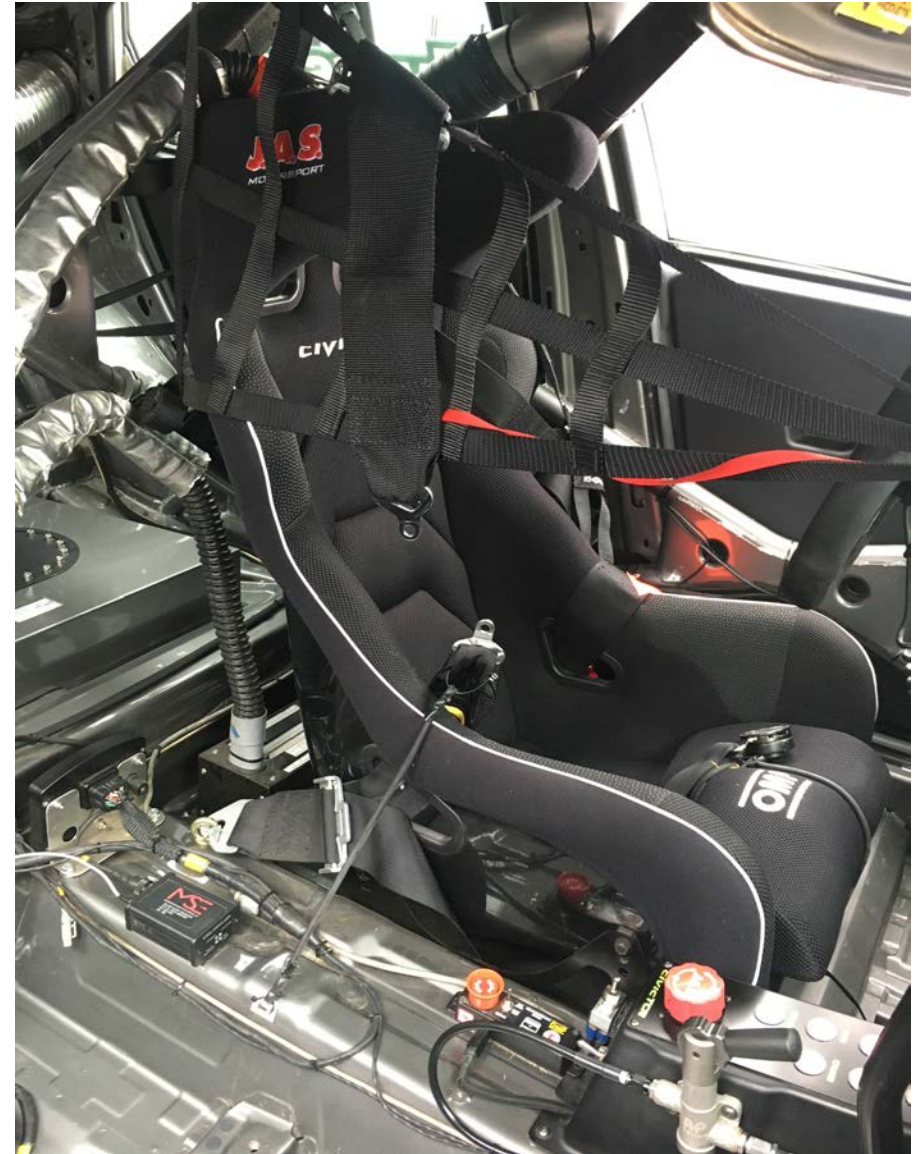
2020 Honda Civic TCR Program

8 INTERIOR OPTIONS

- Cool suit cooling system
- Front heated Lexan Screen
- Wide angle rear view mirror
- Extra ballast 5/10kg blocks
- Carbon side-impact driver side
- Seat in various sizes (has to be homologated with car)
- IMSA Spec Window Net With SafeCraft Bullet-Type Quick Release

9 ENDURANCE OPTIONS

- Adjustable electrical side mirrors on center console
- UV cockpit lights
- Drink system
- Lighted race number on doors



2020 Honda Civic TCR Program

10 ENGINE SYSTEMS

- Engine Calibration by JAS Motorsport
- Bispoke Flywheel (6kg)
- Increased power and torque at lower rpms
- Engine performances 340hp and 410-420nm torque at 3000rpm
- Competition Stainless exhaust & racing cat converter
- Increased intercooler and water radiator
- Upgraded engine mountings
- High performance oil cooler
- Competition air filter
- Engine mapped for 100 Octane Fuel
- ECU map protected with password
- Engine is sealed from JAS Motorsport



2020 Honda Civic TCR Program

11 DISPLAY & DATA LOGGING

DIGITAL COLOR DISPLAY WITH INTERNAL LOGGER

- Water Temp
- Oil Temp
- Engine RPM
- Fuel Pressure
- Driver shift lights
- LED alarms on display
- Steering angle
- 4 Wheel speed (FR/RL)
- Front/Rear brake pressure
- GPS module
- 3-speed pit limiter that can be controlled with Motec ECU
- Dimmer for dash--controlled on steering wheel
- Gear Position Sensor
- Lat/long G-force sensor

DATA LOGGER PACK

- Activation of OI channels and input & outputs
- Damper potentiometer

OPTIONAL

- I2 Pro-logging
- Clutch pressure
- I2 data analyzing temp plate



2020 Honda Civic TCR Program

12 MOTEC ENGINE CONTROL

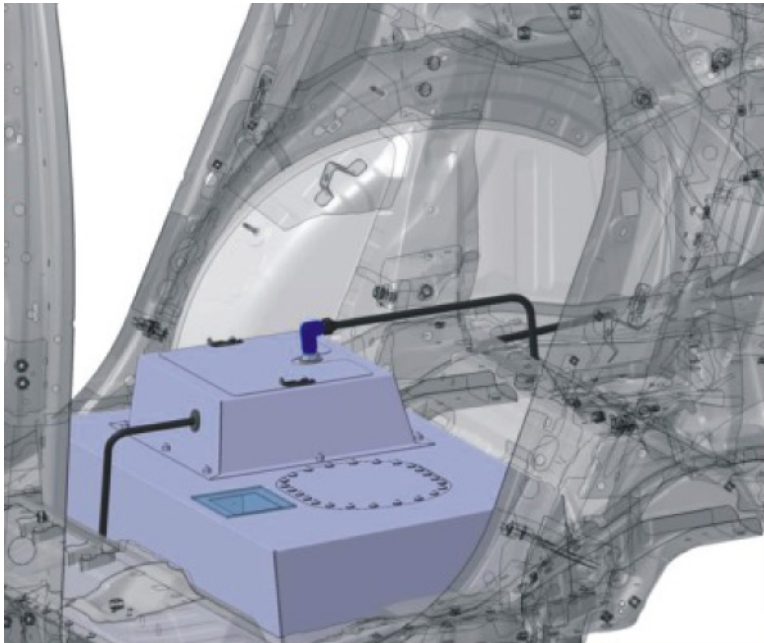
- Motec ECU with JAS calibrated maps
- Custom engine harness
- Fuel and oil pressure sensors, lambda, MAP sensor, water and oil temp sensors installed on engine.
- Pit speed limiter with 3 options
- Launch control button
- Switches repositioned on custom-made console mounted on tunnel
- Motec PDM30 TCR configuration (factory sealed)
- Motec digital display with password controlled data logger
- Gel racing battery



2020 Honda Civic TCR Program

13 FUEL SYSTEM

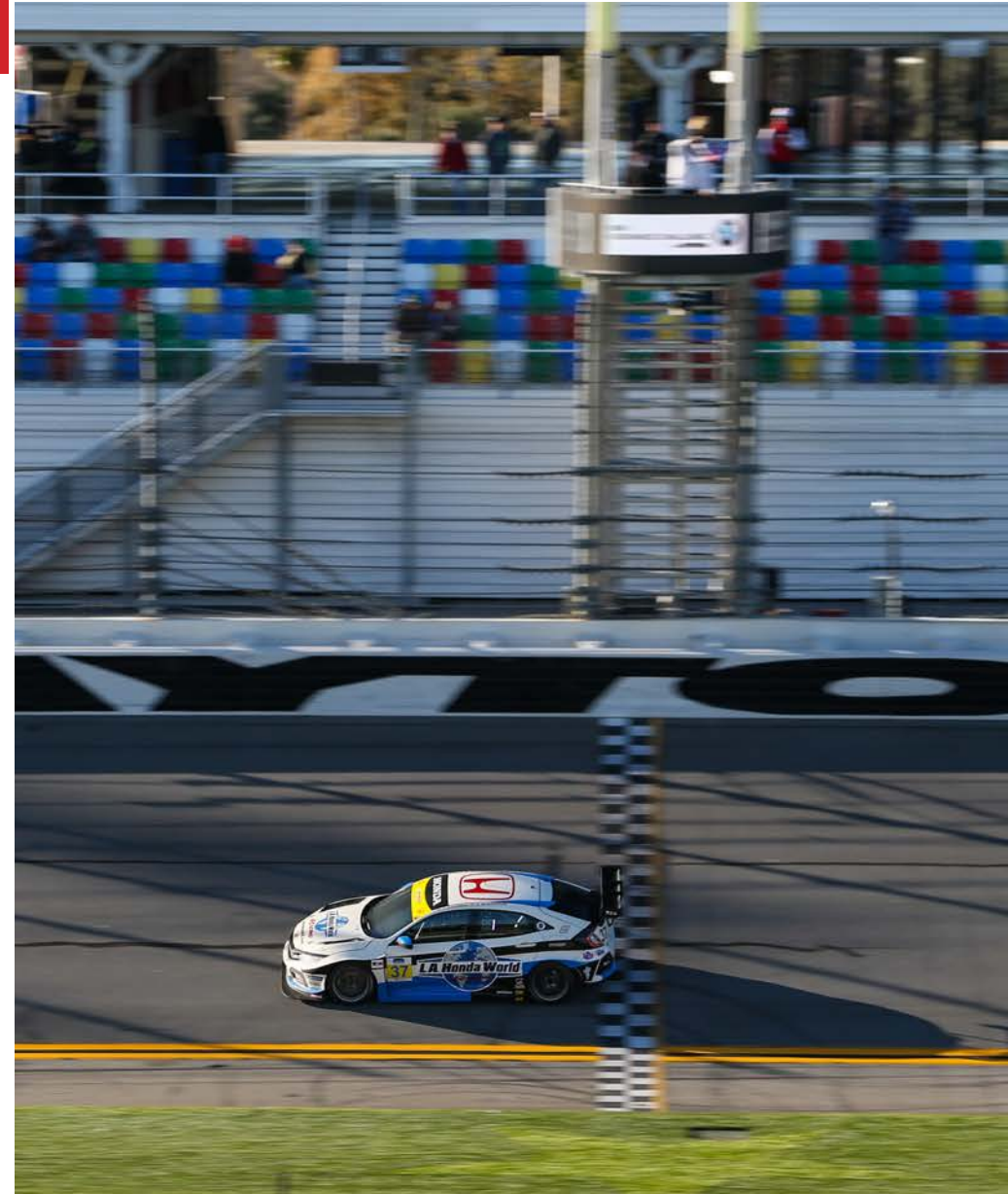
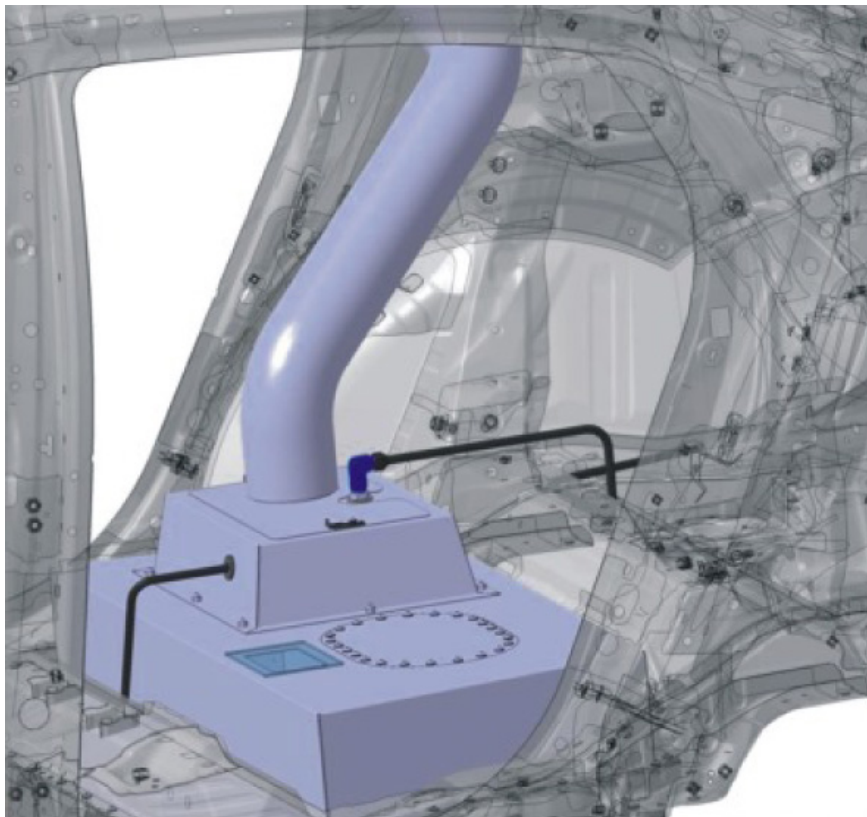
- FT3 100-liter fuel tank
- Racing collector tank
- Aero quality hoses and fittings
- Fuel tank with 3 lift pumps and filters
- Staubli D12 refuelling



2020 Honda Civic TCR Program

14 FUEL SYSTEM – ENDURANCE OPTION

- Filler neck on right C-pillar
- Fuel filler neck build to VLN standards
- Quick refuelling FIA standard 1 left + 1 right
- Optional IMSA Spec Refueling Pipes To Match Flow With Restrictors



2020 Honda Civic TCR Program

15 GEARBOX – XTRAC

- 6-speed sequential SADEV gearbox
- Limited slip differential
- Gearbox oil cooler
- JAS twin-disc racing clutch
- Hydraulic paddle shift
- Adjustable diff preload from outside

OPTIONAL

- Various homologated differential ramps



2020 Honda Civic TCR Program

16 RACING SERVICES

Competitive Support: Honda Racing HPD will provide off-track and at-track support for engine and electrical management services including boost performance, mapping and troubleshooting.

Honda Racing HPD will provide off-track and at-track OEM representation to IMSA and Pirelli World Challenge Sanctioning/promoter bodies for all major events including races and tests. Services include BoP analysis and negotiations as well as technical specification compliance based on Civic TCR as designed.

Parts Services: Honda Racing HPD will provide off-site parts availability from the HPD Indianapolis parts warehouse. Additional on-track parts availability and carrying is negotiated with each customer based on need and personalized financial arrangements.

Shakedown & Training: JAS will provide initial shakedown in Italy prior to delivery. Customers may participate in this event at customer cost. Honda Racing HPD can provide engineering services support for one shakedown event upon delivery to customer (with reasonable time/location as negotiated with each customer).

Honda Racing HPD can provide driving coaching by factory driver and engineering training and set up consultation by Honda Racing HPD certified staff as negotiated with customer utilizing customary and reasonable rates + expenses.



2020 Honda Civic TCR Program

17 SALE TERMS

Complete car: Honda Civic TCR as complete race ready car with XTRAC sequential gearbox, MoTec ECU, 2.0L turbo 4 cylinder engine, Ohlins dampers, 18x10" O.Z. wheels, complete bodywork, stainless exhaust FT3 100 liter fuel tank, hydraulic paddle shift, & adjustable diff preload. **\$172,238***

Set up tools: Quick filling fuel system, toe setting equipment, clutch centering tool, footrest assembly, shock pump, set up wheel, front pads changing spacer tool, side impact panels. **\$13,298***

Initial spares: major suspension components, brake discs, splitter, wheel spacers + additional. **\$21,402***

ABS premium upgrade **\$12,768***

Basic data logger/EV05/Scutineering logger **\$4,664***

Homologation documents **\$1,344***

Prices include car assembly, colors NHO white outside/light grey inside, car cover, download cable and spare rain tires.

Prices not included: export/import/tariff, shipping and any additional/optional spares.

Payment terms: 50% on order
50% one week before scheduled delivery

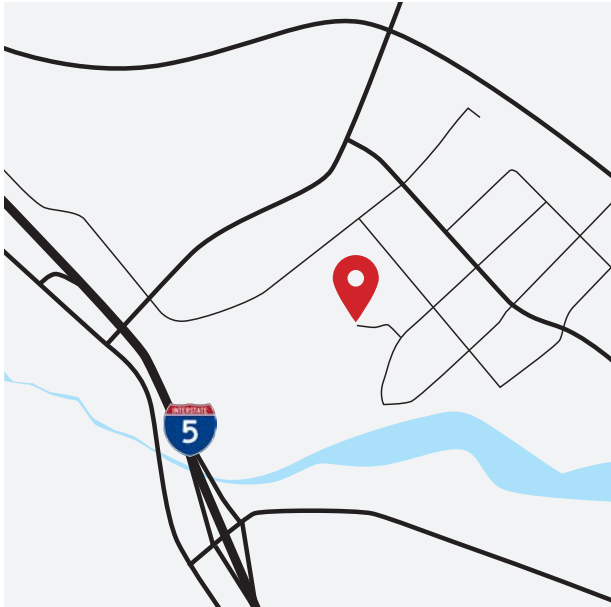
*all prices subject to change/variation depending on (but not limited to) timing, taxes, currency exchange

2020 Honda Civic TCR Program

18 CONTACT

NORTH AMERICAN SALES

Honda Performance Development
25145 Anza Drive
Santa Clarita, CA 91355
(661) 702-7777
grmsadmin@hra.com





2020 Honda Civic TCR Program

NORTH AMERICAN RACING



Honda Performance Development, Inc.